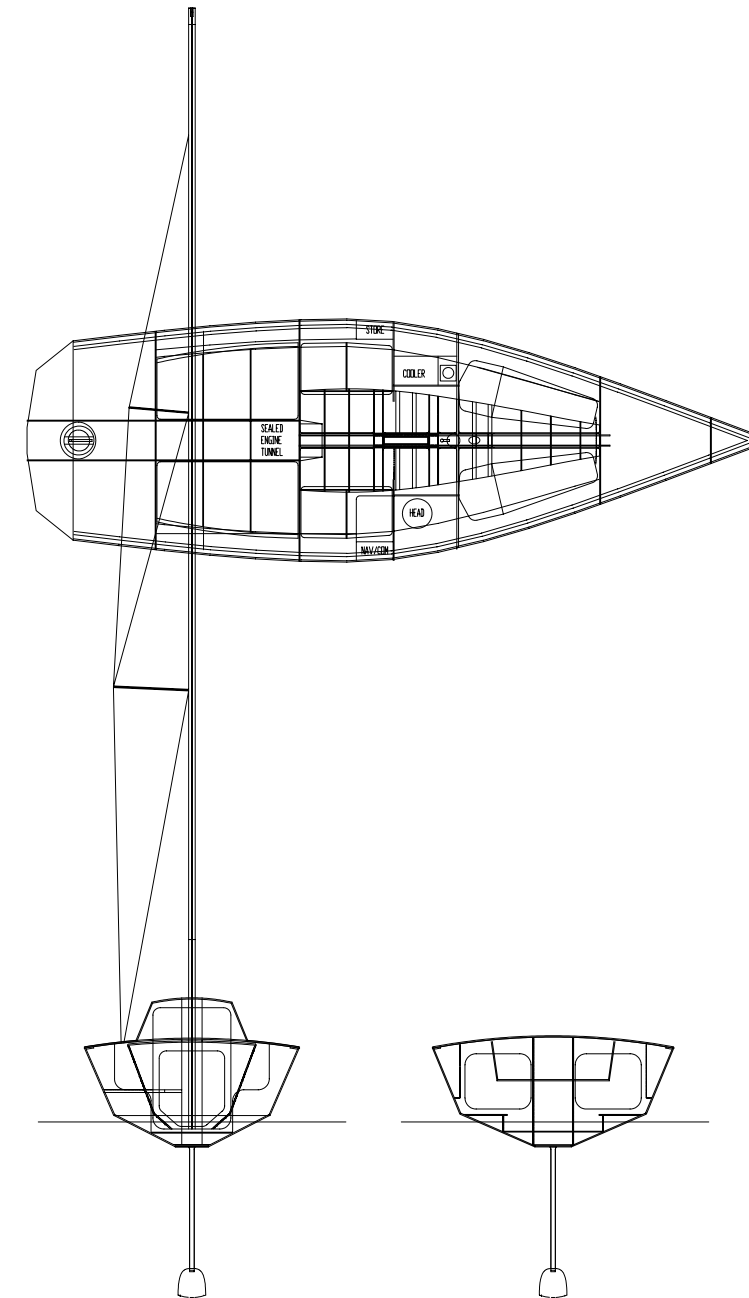
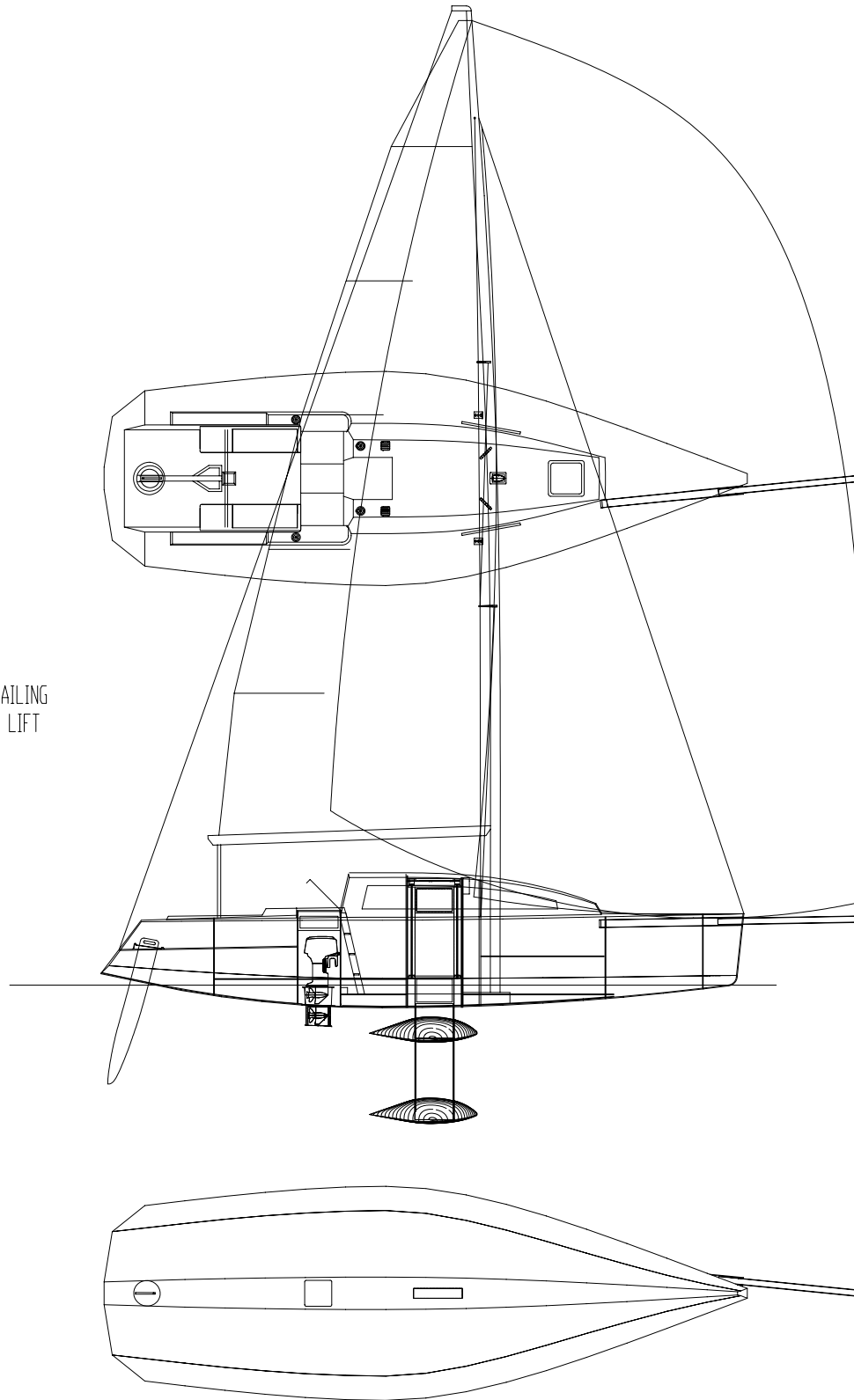


ROSSI - 33 R/C  
SPECIFICATIONS

LOA: 33'-0"  
LWL: 30'-0"  
BEAM: 11'-0"  
SAILING DSPL: 8200 LB  
LIGHT DSPL: 6400 LB  
BALLAST: 3300 LB  
DRAFT: 7' - 3" (DOWN), 3' - 3" (UP)  
P: 41' - 4"  
E: 14' - 3"  
I: 41' - 4"  
J: 12' - 6"  
AH: 46' - 4"  
BSL: 18' - 6"  
SA UPWIND: 665 SQ FT (100%)  
SA DNWIND: 1615 SQ FT  
SAM: 370 SQ FT  
SAF: 260 SQ FT (100%)  
SAS: 1200 SQ FT

OTHER FEATURES:

WEIGHT SAVING INTEGRATED HULL STRUCTURE  
CARBON FIBER MAST WITH 20 DEGREE SWEEP SPREADERS  
LIFTING RUDDER - FIXED DOWN WHILE SAILING  
LIFTING KEEL WITH MOTORIZED MACHINE SCREW LIFT - FIXED DOWN WHILE SAILING  
LIFTING 20 HP 4-STROKE OUTBOARD ENGINE WITH MOTORIZED MACHINE SCREW LIFT  
RETRACTABLE NON-ARTICULATING CARBON SPRIT  
OPENING PORTLIGHTS (3 PER SIDE)  
COCKPIT LOCKERS AND COAMING STORAGE POCKETS  
PLASTEAK TDE RAILS  
120 VAC SHORE POWER ELECTRICAL SYSTEM WITH BATTERY CHARGER  
DUAL GROUP 27 DEEP CYCLE BATTERY SYSTEM  
LED NAVIGATIONAL LIGHTING  
GALLEY WITH COOLER, GIMBED BURNER, AND SINK  
PRESSURIZED FRESH WATER SYSTEM  
OPTIONAL 155% GENOA  
OPTIONAL WATER BALLAST SYSTEM  
OPTIONAL FORE-AFT MAST BUTT ADJUSTER



ROSSI ENGINEERING  
45224 BUGGS WAY  
TALL TIMBERS, MD 20690 USA  
PH: 301-994-3021  
FAX: 301-994-3046

ROSSI - 33 R/C (RACER/CRUISER)

SPECIFICATIONS

COPYRIGHT 2002

WWW.ROSSI-ENGINEERING.COM