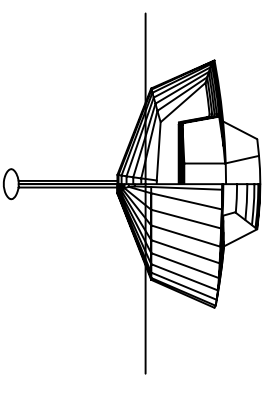
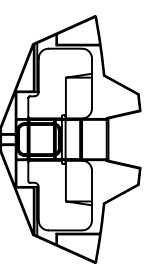
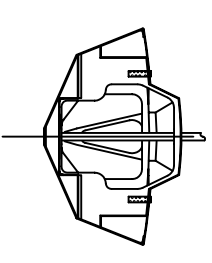
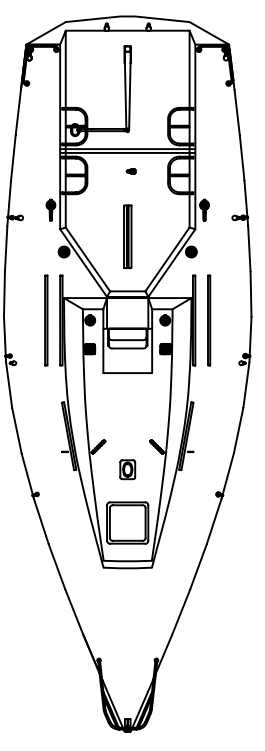
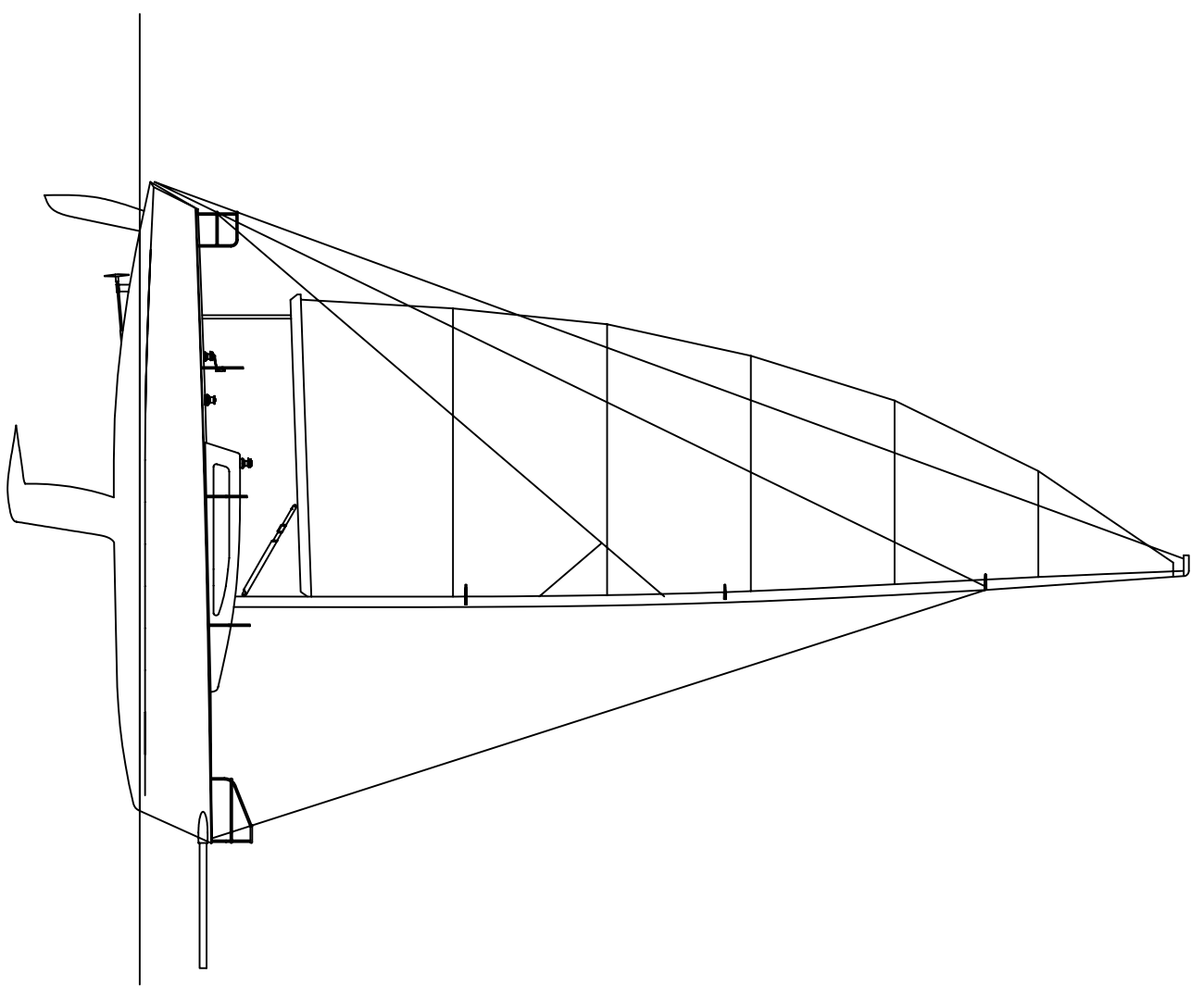
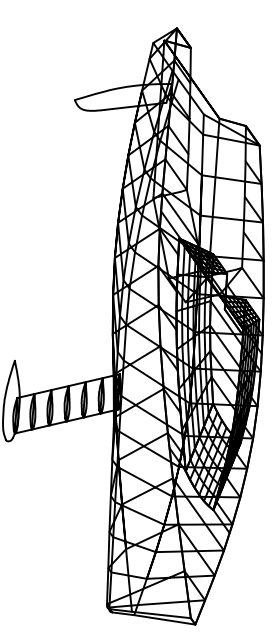
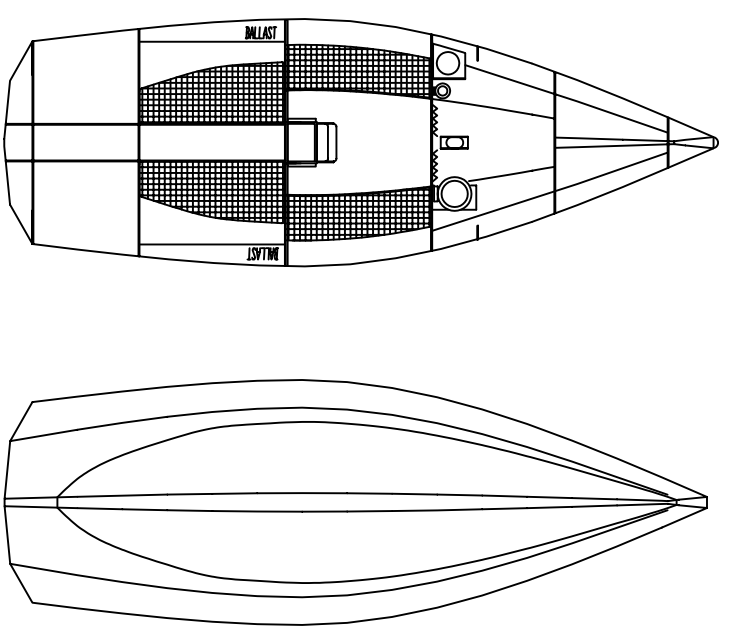


REVISIONS			
REV	DESCRIPTION	DATE	APPROVED
1	BOW, CABIN, & KEEL CHANGES	2/01	ROSSI
2	ASSYM SPLIT, WB SYSTEM	3/03	ROSSI



Specifications

- LDA 31'-6"
- LWL 27'-9"
- Beam 10'-11 7/8"
- WL Beam 7'-3"
- Draft 6'-3 1/2"
- DISPL 5300 lb (measured)
- DISPL 6100 lb (sailing)
- Ballast 2400 lb
- SA 710 Sq Ft (max upwind)
- SA 1461 Sq Ft (max downwind)
- P = 41'-4"
- E = 14'-3"
- I = 37'-4"
- J = 11'-5"
- AH = 46'-4"
- BSL = 16'

ROSSI - MOUNT GAY 30

SPECIFICATIONS

ROSSI ENGINEERING
 711 OSER DRIVE
 CRDUNSVILLE, MD 21032 USA
 PH: 410-923-0572
 FAX: 410-923-6089

SIZE	FSGM NO.	DWG NO.	SHEET	REV
B		B10001	1 OF 1	
SCALE	N/A			